

Output Terminations for SiT9120/9121/9122 and SiT3821/3822 Driving LVPECL, LVDS, CML, and HCSL Clock Receiver Interfaces

Table of Contents

1	Introduction	2
2	LVPECL Output	2
2.1	Termination Recommendations for DC-Coupled Applications	2
2.2	Termination Recommendations for AC-Coupled Applications.....	5
3	LVDS Output.....	6
3.1	Termination Recommendations for DC-Coupled Applications	7
3.2	Termination Recommendations for AC-Coupled Applications.....	8
4	Driving HCSL Clock Interface with SiT912x and SiT382x Oscillators	9
5	Driving CML Clock Interface with SiT912x and SiT382x Oscillators	9
6	Driving Self-Biased Differential Inputs	10
7	Driving an LVDS Receiver with an LVPECL Driver	11
8	Interfacing an LVCMOS Oscillator into an LVDS/LVPECL Input	12
9	Conclusion	14
10	References	15
	Appendix A: Transmission Line Termination Impedance Matching.....	16
A.1	Load Termination	16
A.2	Source Termination.....	17
A.3	Double Termination.....	17

1 Introduction

Differential oscillators are used in high performance applications and offer several benefits, such as higher robustness to power supply noise. This paper provides termination recommendations for SiTime differential oscillator families SiT9120/1/2 and differential voltage controlled oscillator (VCXO) families SiT3821/2 having either LVPECL or LVDS output drivers. Interfaces for driving CML or HCSL clock inputs using SiT9120/1/2 or SiT3821/2 oscillators with LVPECL output are also discussed in sections 4 and 5.

Typical output rise and fall times of SiT912x and SiT382x oscillators are in range from 320 to 600 ps, which causes even short traces on a PCB to behave like distributed transmission lines that require impedance matching. Therefore it is recommended to design traces for differential signals as controlled impedance transmission lines with matched length. Those traces should be terminated properly for best signal integrity and lowest EMI. In addition to impedance matching, termination networks also impact DC bias and AC voltage swing at the receiver side.

2 LVPECL Output

Figure 1 shows a low-impedance LVPECL driver structure that is used in SiT9121x and SiT382x oscillator families. An output stage of a driver consists of a pair of NMOS transistors in common source configuration. Typical driver impedance is about 10Ω.

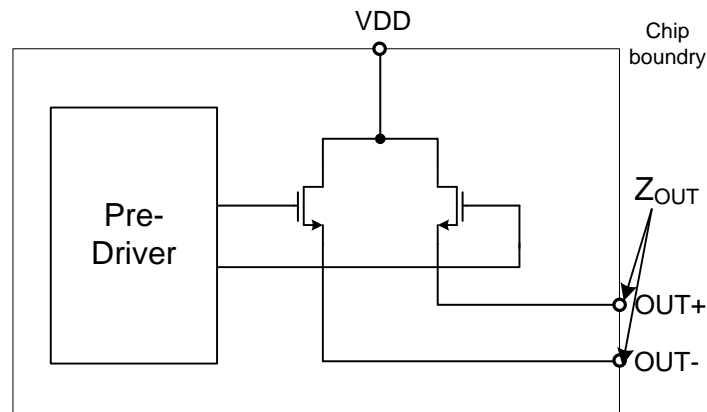


Figure 1: SiT912x and SiT382x LVPECL driver output structure

2.1 Termination Recommendations for DC-Coupled Applications

LVPECL is typically terminated at the load side, as shown in Figure 2. Outputs are connected to a termination voltage (V_T) with 50Ω resistors, providing good impedance match to the transmission line (See Appendix A for load termination analysis). Figure 3(a) illustrates a single-ended waveform of the LVPECL output with typical termination. The typical voltage output high (VOH) and voltage output low (VOL) signal levels are $VDD-0.9V$ and $VDD-1.7V$ respectively. VOH and VOL limits specified in the datasheet take into account output driver impedance variation from part to part and external load conditions.

The voltage swing of the differential waveform between positive and negative outputs ($V_{Diff} = V_{OUT+} - V_{OUT-}$) is twice as much as the single-ended signal voltage amplitude. Typical

LVPECL differential swing is 1.6 V. Figure 3(b) illustrates how 20-80% rise and fall times are defined for a differential waveform.

Note that VOH, VOL, and voltage swing depend on termination and can be different if non-default termination is used.

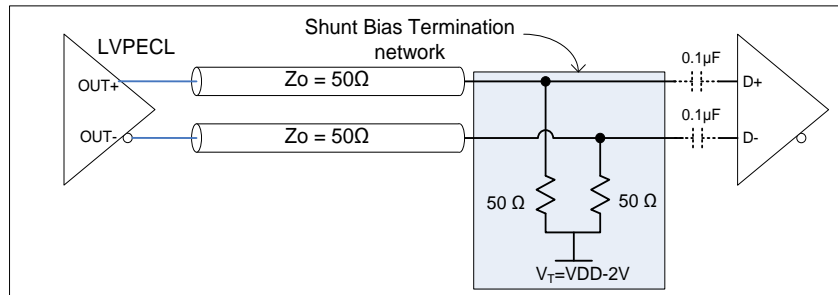


Figure 2: LVPECL with DC-coupled parallel shunt load termination

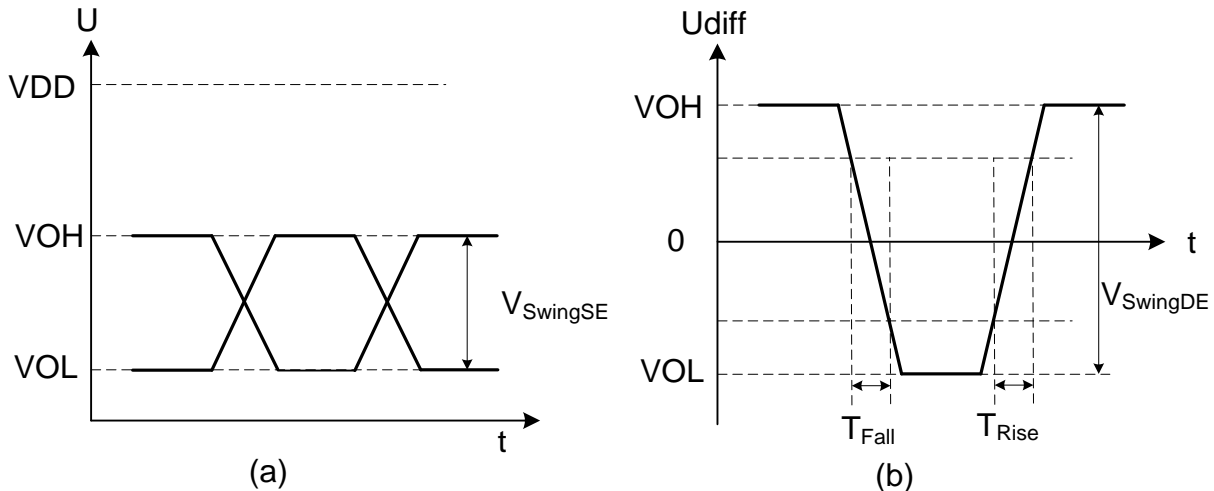


Figure 3: LVPECL logic levels at typical termination

If an LVPECL receiver doesn't have a built-in termination, external 50-Ω termination resistors should be placed as close as possible to the receiver to reduce un-terminated stubs that can cause signal integrity issues. A transmission line should be terminated at the load side only.

In applications where a separate termination voltage is not readily available, pull-up and pull-down resistors forming a Thevenin Equivalent network can be used to terminate 50 Ω transmission lines (see Figure 4). Such a network establishes dc bias voltage of $V_{DD} - 2V$ at receiver inputs and effective 50 Ω termination impedance. Note that the resistor values are different for 3.3V and 2.5V supply voltages.

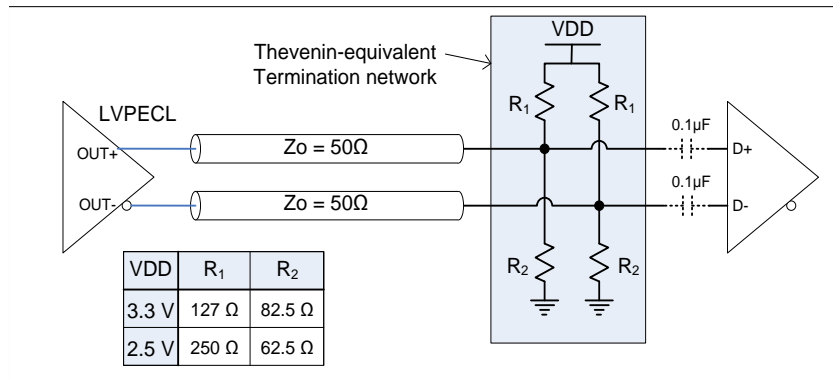


Figure 4: LVPECL DC-coupled load termination with Thevenin equivalent network

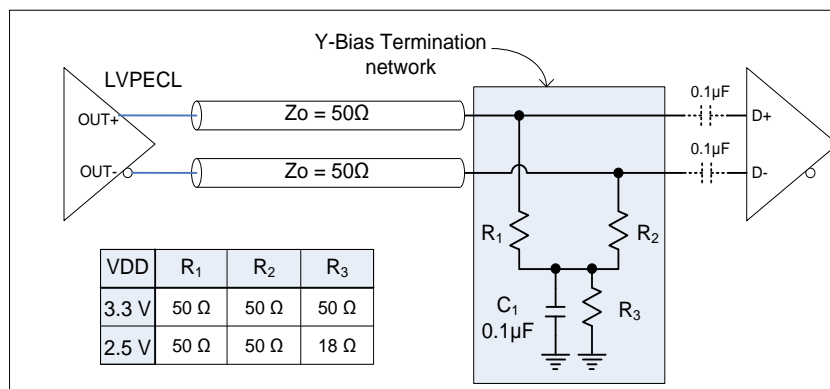


Figure 5: LVPECL with Y-Bias termination

In most cases Thevenin Equivalent termination works well, but it can be sensitive to power supply noise if there is any significant mismatch between traces or between resistor networks on each side of the differential pair, or if the receiver is too sensitive to common-mode noise. Figure 5 shows the Y-Bias termination network, which provides an effective termination voltage of $VDD - 2V$ without requiring either connection to VDD or access to an additional termination voltage source. The termination voltage is generated by the sum of differential pair currents passing through resistor R_3 . The capacitor C_1 is used to create AC ground at the termination voltage.

2.2 Termination Recommendations for AC-Coupled Applications

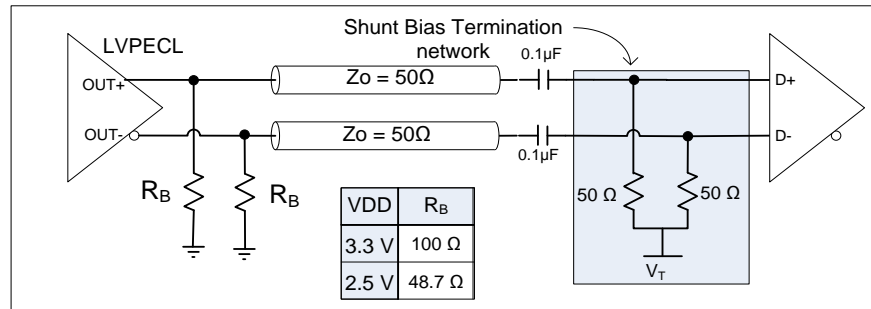


Figure 6: LVPECL with AC-coupled termination

An LVPECL receiver may be either DC- or AC-coupled. AC-coupling capacitors are required if DC bias voltages at the receiver and oscillator sides are different. In some cases a termination network has to be AC-coupled, as shown in Figure 6. For proper LVPECL driver operation its output transistors should never be completely turned off, so additional bias resistors R_B , placed before AC-coupling capacitors, are required to provide DC current path for the driver. The value of R_B is selected such that the minimum current through a driver pin when the pin is in low state is not less than 3 mA, and maximum DC current through a driver does not exceed 30 mA. Equation 1 can be used to estimate R_B .

$$\frac{V_{OL} + V_{OH}}{2 \cdot 30mA} \leq R_B \leq \frac{V_{OL}}{3mA + \frac{U_{SWSE}}{2R_{Term}}} \quad \text{Equation 1}$$

In Equation 1, U_{SWSE} is single-ended voltage swing and R_{Term} is termination network resistance. SiTime recommends using R_B values of 100Ω and 48.7Ω for 3.3V and 2.5V supply, respectively.

The following recommendations should be followed to achieve best signal integrity with LVPECL parallel load terminations:

1. Place the termination network within 0.1 to 0.2 inches from the receiver. Long traces connecting the termination network to the receiver appear as stubs and can degrade signal integrity at the receiver inputs.
2. Minimize capacitive loads at the receiver input. High capacitive loads reduce termination impedance when fast signal edges reach the receiver, causing a large load reflection coefficient. This reflection returns to the load with a little attenuation after being reflected at the source. The rule of thumb is that the termination mismatch becomes significant if $3T_r / (\pi \cdot C_L) < 50\Omega$, where T_r is the 20% to 80% rise time, and C_L is the load capacitance. Figure 7 shows an example of how 6.8pF of parasitic input capacitance affects rising edge of the LVPECL waveform.

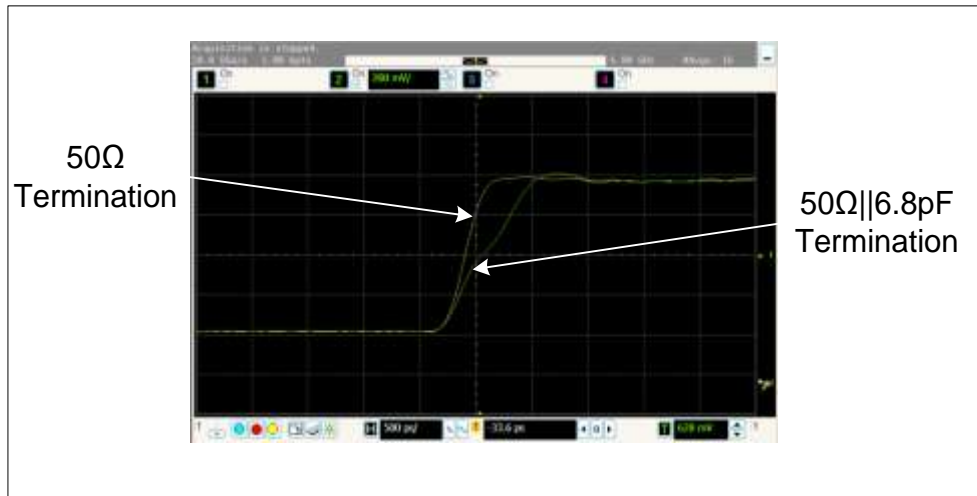


Figure 7: Influence of parasitic capacitance on SiT912x waveform

3 LVDS Output

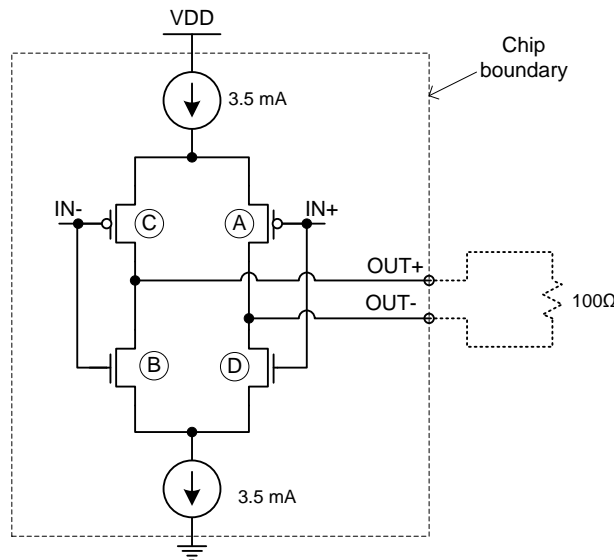


Figure 8: LVDS driver output structure

LVDS [1] is a high-speed digital interface suitable for many applications that require low power consumption and high noise immunity. LVDS outputs use differential signals with low voltage swings to transmit data at high rates. Figure 8 shows the output structure of an LVDS driver, consisting of 3.5 mA nominal current sources connected to differential outputs via a switching network, sometimes referred to as “H” switch. The outputs are typically connecting to 100Ω differential transmission lines terminated with a 100Ω resistor across the receiver inputs. The resistor value matches the impedance of the transmission lines and provides a current path for the signal.

The driver includes circuitry to set the common mode to 1.2 V nominally regardless of VDD. Therefore, there is no need for externally biasing the driver to any specific voltage. Also, an LVDS output can be connected to any LVDS input without any concern about actual supply voltage of the oscillator.

Signal switching is accomplished with four transistors labeled A, B, C, and D. Since the impedance of the receiver is typically high, virtually all current from the driver flows through the 100 Ω resistor, resulting in a voltage difference of 350 mV between the receiver inputs. In Figure 8, when the signal IN is low, transistors A and B are turned on; the current flows through the transistor A and the 100 Ω resistor and returns through the transistor B. When the signal IN is high, transistors C and D are turned on; the current flows through the transistor C and the 100 Ω resistor and returns through the transistor D, resulting in -350mV voltage across the receiver.

From the receiver's perspective, the direction of the current flowing through the termination resistor determines whether a positive or negative differential voltage is registered. A positive differential voltage represents a logic high level, while a negative differential voltage represents a logic low level.

3.1 Termination Recommendations for DC-Coupled Applications

An LVDS interface with 100 Ω differential traces is typically terminated at the receiver end with a 100 Ω resistor across the differential inputs of the receiver (see Figure 9). Some receivers incorporate a 100 Ω on-chip resistor, eliminating the need for external termination.

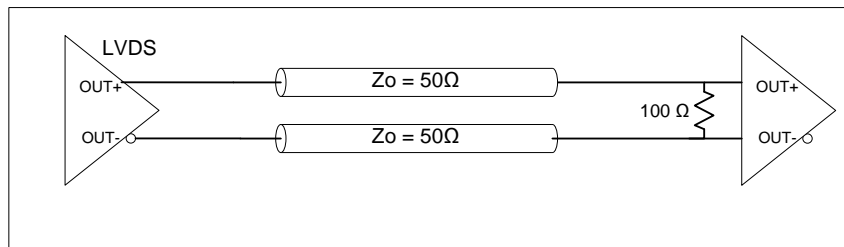


Figure 9: LVDS single DC termination at the load

For most applications, a single termination at the load is sufficient. In situations where the load reflection coefficient is relatively high, a double termination arrangement may reduce the overall round trip (see Figure 10). With a 100 Ω resistor at both the source and the load, the equivalent resistance at the output driver is reduced to 50 Ω, causing the output signal swing to be cut in half. Appendix A has more information on the uses of single and double termination arrangements.

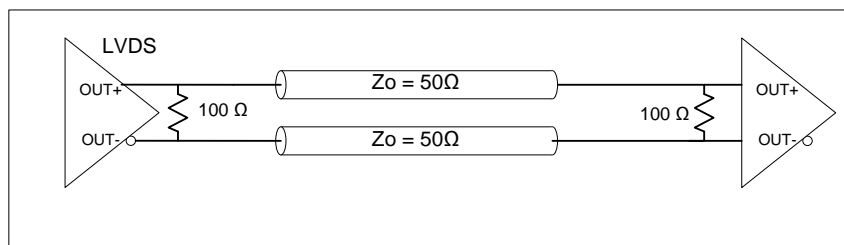


Figure 10: LVDS double DC termination

3.2 Termination Recommendations for AC-Coupled Applications

If an LVDS driver and receiver are operating with different common mode voltages, an AC termination is recommended. A capacitor is used to block the DC current path from the driver, so the receiver must implement its own input bias circuit.

AC coupling can be configured as either a single termination at the load, or as a double termination. Single termination is shown at Figure 11. For both single and double terminations, AC-coupling capacitors can be placed before (Figure 12) or after (Figure 13) the load termination resistor.

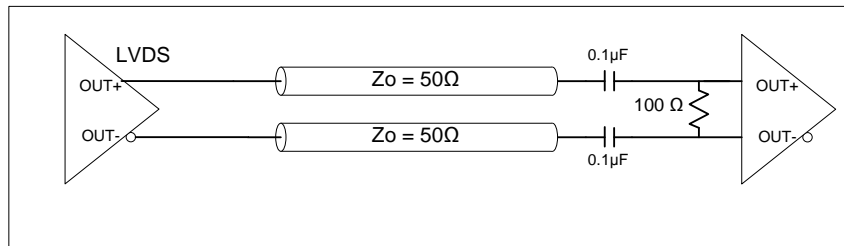


Figure 11: LVDS single AC termination at the load

The double terminations shown in Figure 12 and Figure 13 differ only in the position of the AC-coupling capacitor. The capacitor in Figure 12 is charged by the common mode current flowing through half the differential resistance, which is the equivalent of 50Ω . The capacitor in Figure 13 is charged by the current through the resistance of the receiver's inputs, which can be in the range of several tens of kilo-ohms. During clock start-up, the capacitor shown in Figure 12 is charged much faster than that shown in Figure 13. Therefore, a valid clock signal will be available to the receiver sooner. If fast clock start-up is important, the configuration shown in Figure 12 is preferable.

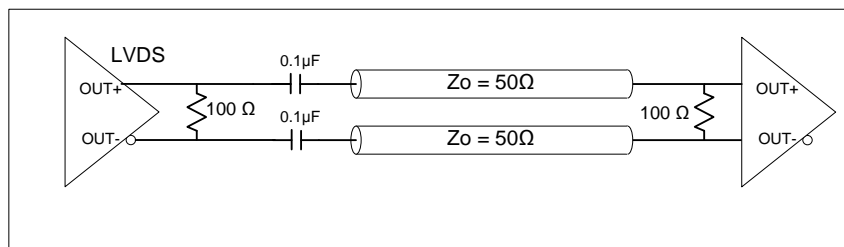


Figure 12: LVDS double AC termination with capacitor close to the source

In data transmission applications, the configuration shown in Figure 13 may be more advantageous. Because of its higher RC time constant, it can sustain data sequences with longer 1s and 0s without experiencing significant voltage droop.

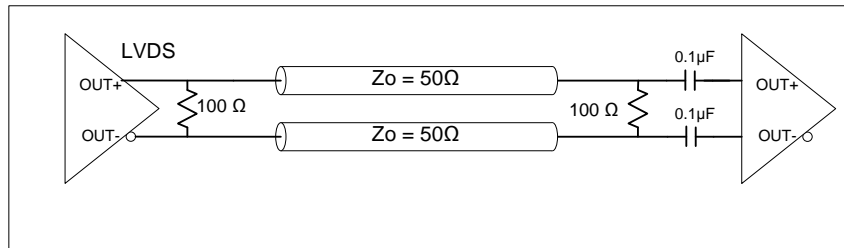


Figure 13: LVDS double AC termination with capacitor close to the load

4 Driving HCSL Clock Interface with SiT912x and SiT382x Oscillators

A typical HCSL interface utilizes a current mode driver and uses 50Ω-to-GND terminations at the source and no termination at the receiver side. SiT912x and SiT380x oscillators do not have an HCSL output driver option, but they can be used to drive an HCSL input in point-to-point applications using an LVPECL driver. Figure 14 shows a recommended termination schematic for driving an HCSL receiver with LVPECL output from SiT912x or SiT380x oscillators. To meet the VOH level of 750 mV and VOL level of 0V required by the HCSL receiver, it features AC-coupling capacitors to separate source and load bias voltages. Thevenin equivalent termination on the load side also sets proper common mode voltage on receiver inputs. Resistor R_B provides proper DC biasing of the LVPECL driver. Recommended termination network component values are indicated in Figure 14 for both 2.5V and 3.3V operation voltages.

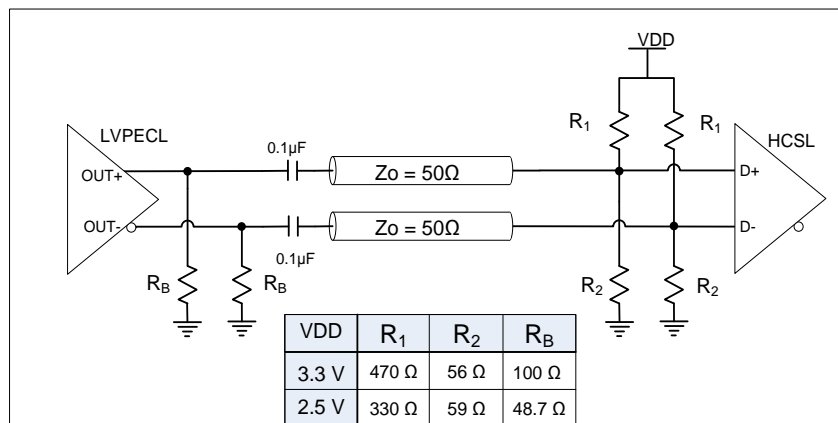


Figure 14: LVPECL to HCSL interface

5 Driving CML Clock Interface with SiT912x and SiT382x Oscillators

SiT912x and SiT380x series oscillators don't have a CML output option, but they can be used to drive a CML receiver using an LVPECL driver. In this case, the termination schematic has to ensure 400 mV single-ended voltage swings at the receiver inputs and $VDD - 200mV$ common mode voltage [2]. Figure 15 shows a recommended termination schematic for driving a CML receiver with LVPECL output from SiT912x or SiT380x oscillators. AC-coupling capacitors for DC current isolation are necessary due to the large difference between LVPECL and CML common mode voltages. Resistor R_B is used for proper biasing of the LVPECL driver. Thevenin

equivalent termination at the receiver side sets the proper bias voltage and together with R_S resistor ensures proper signal swing.

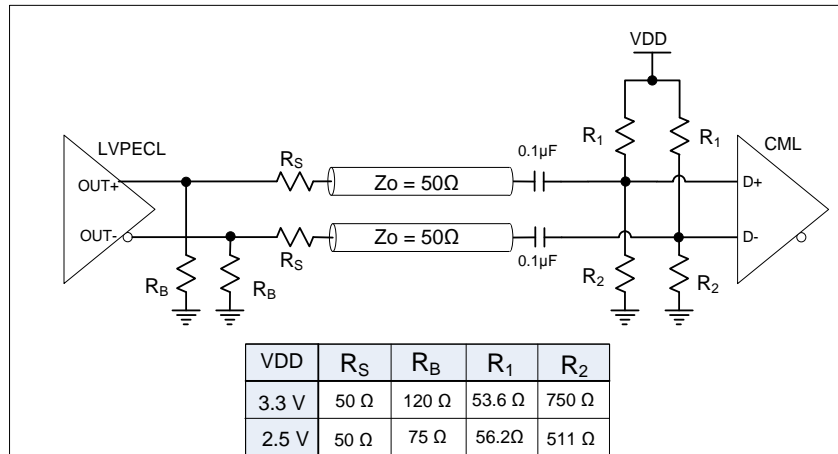


Figure 15: LVPECL to CML interface

6 Driving Self-Biased Differential Inputs

Many differential receivers have on-chip DC-bias circuits and/or termination networks. In this case, oscillator outputs should be AC-coupled. If external biasing is required, it should be designed according to the receiver's datasheet.

LVDS or LVPECL oscillators may be used to drive self-biased differential inputs. LVDS requires fewer passive components and lower running power. If 700 mV of LVDS swing is sufficient for the receiver, it's preferable to use an LVDS oscillator. Figure 16 shows interfacing of an LVDS oscillator to a self-biased differential receiver.

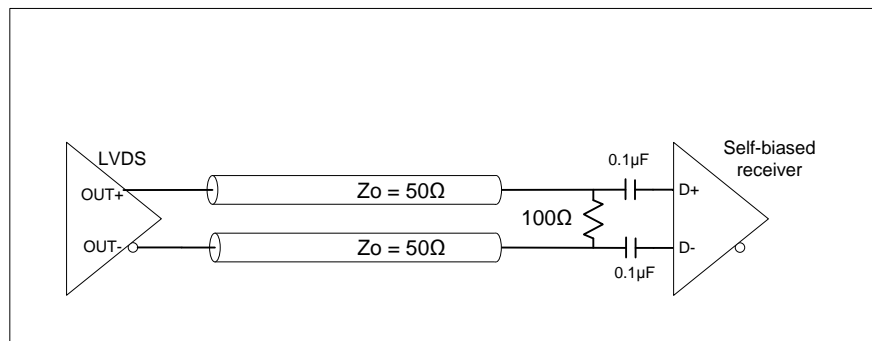


Figure 16: Connection of an LVDS driver to self-biased differential receiver with internal termination and bias

LVPECL output can create up to 1.6V differential swing at the receiver. Figure 17 illustrates a schematic for connecting an LVPECL oscillator to a self-biased differential receiver. Resistor R_S creates a voltage divider with termination at the load side. Voltage swing on receiver input may be set by selecting the R_S value. R_B provides DC bias current for the LVPECL driver and its

value may be calculated from Equation 1. Please note that the receiver will see an effective termination resistance value of $R_s + 50\Omega$.

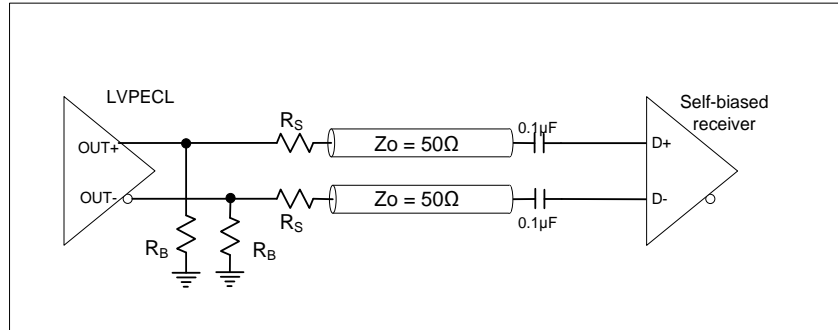


Figure 17: Connection of an LVPECL driver to a self-biased differential receiver with internal termination and bias

To maintain signal integrity, R_s and R_B should be placed before the transmission line as close to the oscillator as possible. The load side termination network should be placed as close as possible to the receiver inputs.

7 Driving an LVDS Receiver with an LVPECL Driver

An LVDS receiver can be driven with an LVPECL clock signal. This requires using termination techniques that puts the signal at the receiver side within the LVDS signaling requirements. Signal common mode voltage and signal amplitude are the main specifications that must be met. To meet LVDS specifications, LVPECL signal amplitude must be reduced from 1.6V to 0.75V. The common mode voltage of the LVPECL driver depends on supply voltage, and for 2.5V VDD it matches the LVDS common mode voltage. Termination that allows clocking an LVDS receiver with a 2.5V LVPECL driver is shown in Figure 18.

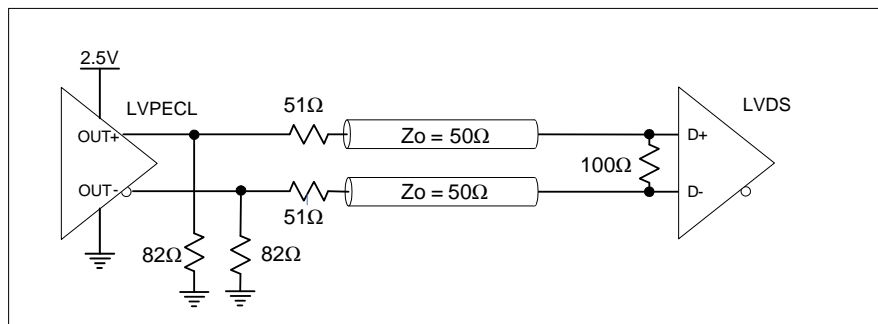


Figure 18: Interfacing a SiT912X LVPECL driver with a 2.5V VDD to an LVDS receiver

In case of 3.3V VDD common mode voltages of LVPECL driver and LVDS receiver are different. Figure 19 suggests using series resistors and Y-termination to interface between an LVPECL driver and an LVDS receiver.

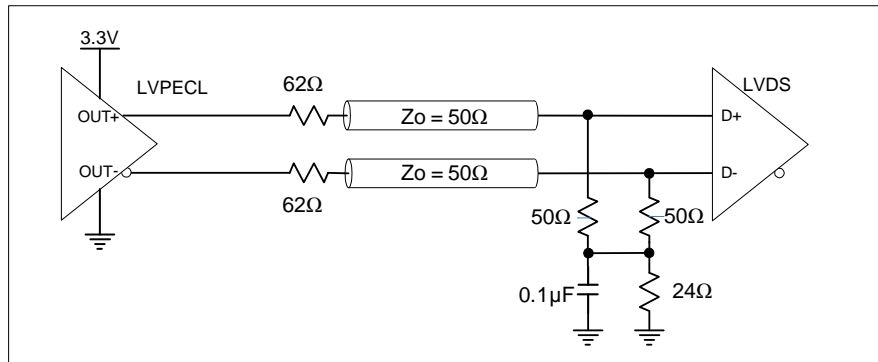


Figure 19: Interfacing an SiT912X LVPECL driver with a 3.3V VDD to an LVDS receiver

If the receiver has on-chip termination, AC-coupling is recommended as shown in Figure 20. Common mode is set by a resistor divider. Since its equivalent resistance is too high to cause misbalance between positive and negative inputs, only one of the inputs is biased.

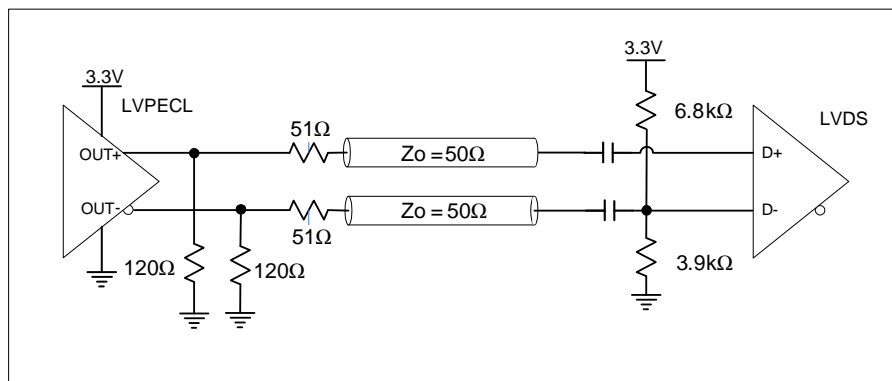


Figure 20: Interfacing an SiT912X LVPECL driver with 3.3V VDD to a LVDS receiver with internal termination

8 Interfacing an LVCMOS Oscillator into an LVDS/LVPECL Input

In some cases clocking differential LVDS or LVPECL receivers with a single-ended output source is needed. LVCMOS output can be interfaced to an LVDS or LVPECL receiver by connecting an AC signal to one of the differential input pins and applying DC threshold voltage to the other pin. To meet differential swing requirements, the amplitude of a single-ended clock at the receiver side must be twice as high as the differential swing of an LVDS or LVPECL interface. Refer to the receiver datasheet to make sure the input voltage is within acceptable limits.

Driving LVDS/LVPECL input with a single-ended oscillator offers much lower power consumption compared to a differential oscillator, but it decreases noise immunity.

Interfacing a single-ended output to a differential receiver requires the following conditions:

1. Common mode voltage at inputs should be 1.2V for LVDS at all VDDs, 1.2V for LVPECL at 2.5V VDD, and 2V for LVPECL at 3.3V VDD.

2. Voltage swing across inputs should be 700 to 800 mV for LVDS and 1.2 to 2V for LVPECL.
3. Input impedance of the termination circuit must match trace impedance to maintain signal integrity. Typical trace impedance is 50Ω.

Figure 21 shows a recommended schematic for interfacing single-ended output to any voltage LVDS and LVPECL at 2.5V VDD. Common mode voltage is set by a voltage divider created by output driver impedance and resistors R1 and R3. Capacitor C1 provides an AC-signal path from negative input to ground. Signal amplitude at the positive input is set by the voltage divider, which consists of output driver resistance in series with R1, and R2 in parallel with R3.

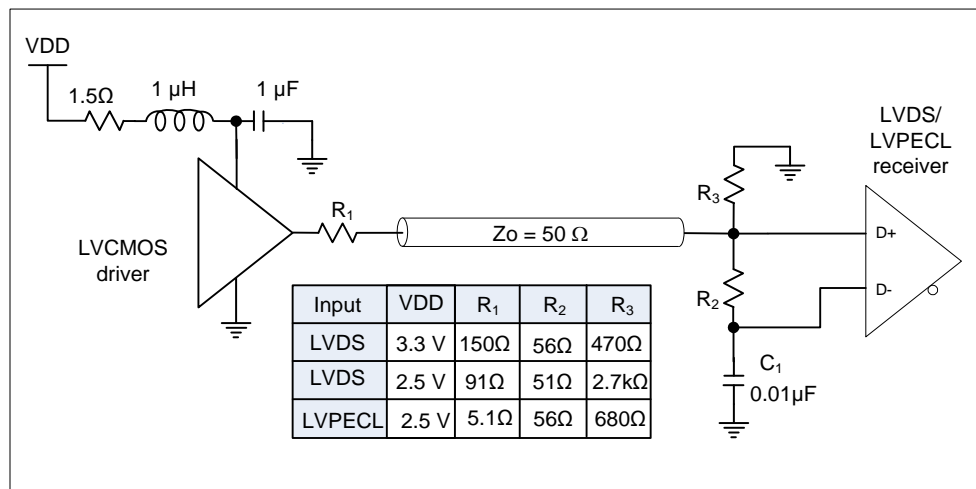


Figure 21: Interfacing an LVC MOS driver to a 2.5V/3.3V LVDS or 2.5V LVPECL receiver

Figure 22 shows a schematic for interfacing LVC MOS to LVPECL at 3.3V VDD. Common mode voltage at the receiver side is set by a voltage divider created by output driver impedance in series with a 27Ω resistor and 200Ω pull-up to VDD.

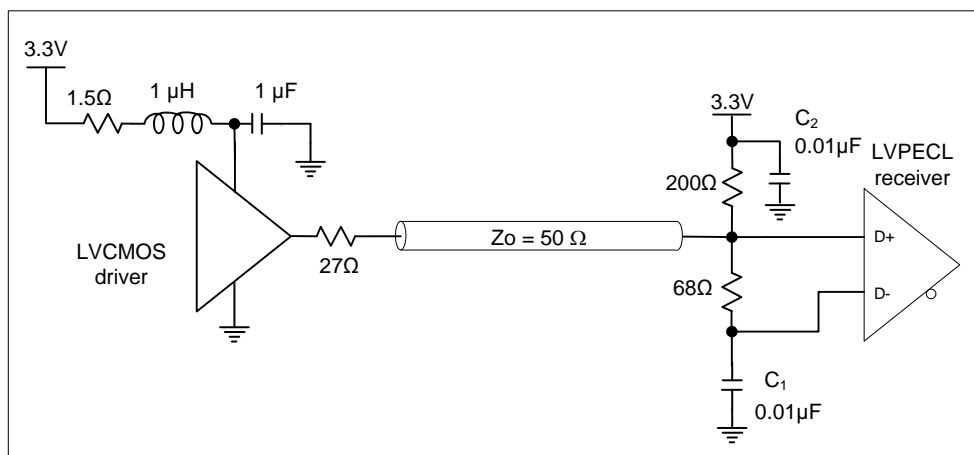


Figure 22: Interfacing LVC MOS driver to a LVPECL receiver at 3.3V VDD

The recommended component values in Figure 21 and Figure 22 are computed based on 25Ω LVCMOS driver impedance. This value corresponds to the typical driver impedance of the SiT8008 family of LVCMOS oscillators.

The LVCMOS oscillator has a RLC filter in its power supply network in Figure 21 and Figure 22. SiTime recommends using this RLC filter since it significantly improves power supply noise rejection.

Figure 23 shows examples of waveforms on the inputs of the 3.3V LVPECL receiver when driven with a single-ended clock.

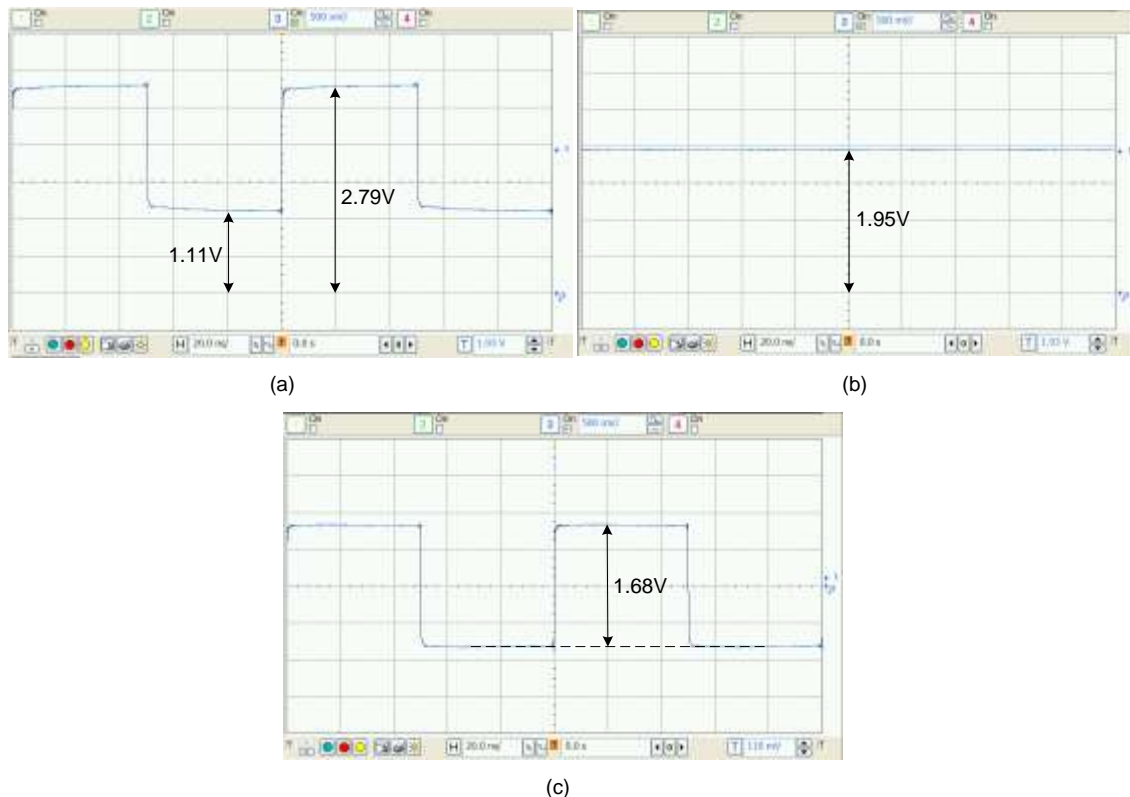


Figure 23: Waveforms at positive (a), negative (b) inputs of 3.3V VDD LVPECL receiver and resulting differential waveform (c).

9 Conclusion

This application note presents the SiT9120, SiT9121, SiT9122, SiT3821, and SiT3822 differential output driver structures and the most commonly used AC-coupled and DC-coupled termination schemes for LVPECL and LVDS differential outputs. Recommended options for interfacing SiT912x and SiT382x oscillators to HCSL and CML receivers are discussed. Termination schemes which allow driving an LVDS or LVPECL clock receiver using a single-ended LVCMOS oscillator are also presented. With a wide selection of output types, users can select an output signal that best fits their requirements.

10 References

- [1] Telecommunications Industry Association, “*Electrical Characteristics of low voltage differential signaling (LVDS) interface circuits*”, TIA/EIA-644-A standard specifications, February 2001.
- [2] Tom Granberg, “*Handbook of Digital Techniques for High-Speed Design*”, Upper Saddle River, NJ: Prentice Hall PTR, 2004.

Appendix A: Transmission Line Termination Impedance Matching

Any trace of a printed circuit board (PCB) or cable behaves as a transmission line when its electrical length is greater than half of the 20%-to-80% rise time of the signal that is being launched to the trace. Proper termination is an important factor for optimal signal integrity. This Appendix discusses source, load, and double termination strategies.

A.1 Load Termination

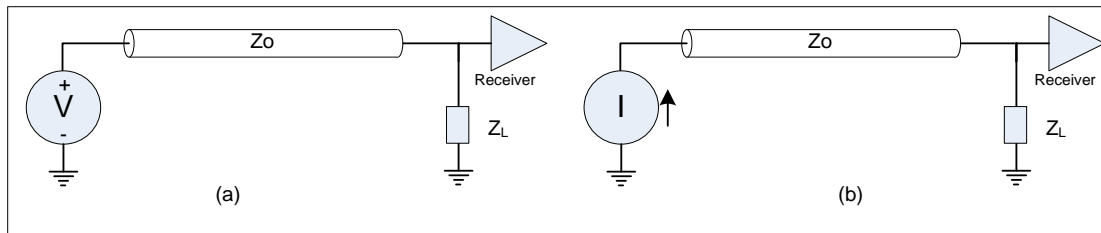


Figure 24: Transmission line parallel load termination

Figure 24 shows transmission lines terminated with parallel load impedance of Z_L and driven by a voltage or current source signal. Once the signal reaches the load at the other side of the line, some of its energy will be absorbed by the load and the rest will reflect back to the source. The ratio of the reflected signal to the incident signal is referred to as the reflection coefficient and is computed as below:

$$\Gamma_L = \frac{Z_L - Z_o}{Z_L + Z_o} \quad \text{Equation 2}$$

If the load is terminated with the same impedance as the trace, i.e., $Z_L = Z_o$, then $\Gamma_L = 0$, which means no reflected signal. If the load impedance does not match that of the trace, some of the signal will reflect back to the source. A fraction of the reflected signal, once it reaches the source, can bounce back to the load again depending on the source reflection coefficient, computed as below:

$$\Gamma_S = \frac{Z_S - Z_o}{Z_S + Z_o} \quad \text{Equation 3}$$

The overall reflection seen at the load is the result of round-trip reflection through the transmission line, which can be computed using the round-trip reflection coefficient, Γ_{RT} , computed as below:

$$\Gamma_{RT} = \Gamma_S \cdot \Gamma_L \quad \text{Equation 4}$$

A large value of reflection coefficient can cause reduced signal margin, excessive ringing, and extra trigger edges at the receiver input. The round-trip reflection should be therefore minimized for optimal signal integrity at the receiver end.

For an ideal voltage driver in Figure 24(a), $Z_S = 0$, which leads to $\Gamma_S = -1$. For an ideal current driver in Figure 24 (b), $Z_S = \infty$, which leads to $\Gamma_S = +1$. In both cases, all the energy in the

reflected signal that reaches the source will be reflected back to the load once again. Therefore, a well matched load impedance is most effective to reduce the reflected signal.

A.2 Source Termination

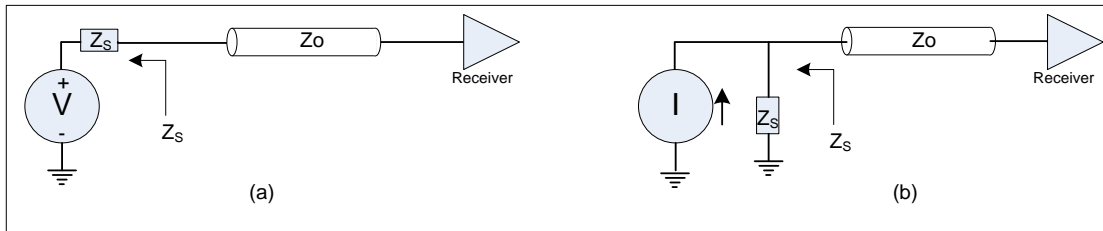


Figure 25: Transmission line source termination

In some applications, it is difficult to properly terminate the transmission line at the load. This may be due to uncontrolled impedances at the load or inability to place the termination close to the receiver circuit at the end of the line. In such cases, the source termination strategies shown in Figure 25(a) and (b) can be used. The receivers are assumed to have high impedance, which leads to a load reflection coefficient of 1 ($\Gamma_L = +1$). The signal will reflect to the source. If the source impedance is matched to Z_o , then much of the energy reflected can be absorbed by the source impedance. The round-trip reflection coefficient will be $\Gamma_{RT} = \Gamma_S$.

A.3 Double Termination

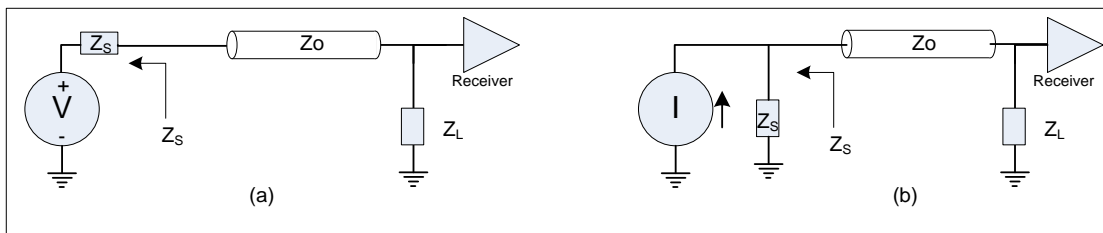


Figure 26: Double termination technique

In some applications it may be difficult to reduce load or source reflection coefficients to acceptably small values, e.g., due to excessive parasitic capacitances and inductances. Terminating at both ends of the transmission line is an effective way to reduce round-trip reflection and improve signal integrity. Figure 26 shows double termination for voltage and current drivers. For example, if $\Gamma_L = \Gamma_S = 0.1$, then $\Gamma_{RT} = 0.01$, i.e. only 1% of the signal reflects back to the load.

One drawback of double termination is that the amplitude of the signal reaching the load will be half of the signal amplitude in single termination schemes.

SiTime Corporation
990AlmanorAvenue
Sunnyvale, CA 94085
USA
Phone: 408-328-4400
<http://www.sitime.com>

© SiTime Corporation, 2008-2013. The information contained herein is subject to change at any time without notice. SiTime assumes no responsibility or liability for any loss, damage or defect of a Product which is caused in whole or in part by (i) use of any circuitry other than circuitry embodied in a SiTime product, (ii) misuse or abuse including static discharge, neglect or accident, (iii) unauthorized modification or repairs which have been soldered or altered during assembly and are not capable of being tested by SiTime under its normal test conditions, or (iv) improper installation, storage, handling, warehousing or transportation, or (v) being subjected to unusual physical, thermal, or electrical stress

Disclaimer: SiTime makes no warranty of any kind, express or implied, with regard to this material, and specifically disclaims any and all express or implied warranties, either in fact or by operation of law, statutory or otherwise, including the implied warranties of merchantability and fitness for use or a particular purpose, and any implied warranty arising from course of dealing or usage of trade, as well as any common-law duties relating to accuracy or lack of negligence, with respect to this material, any SiTime product and any product documentation. Products sold by SiTime are not suitable or intended to be used in a life support application or component, to operate nuclear facilities, or in other mission critical applications where human life may be involved or at stake